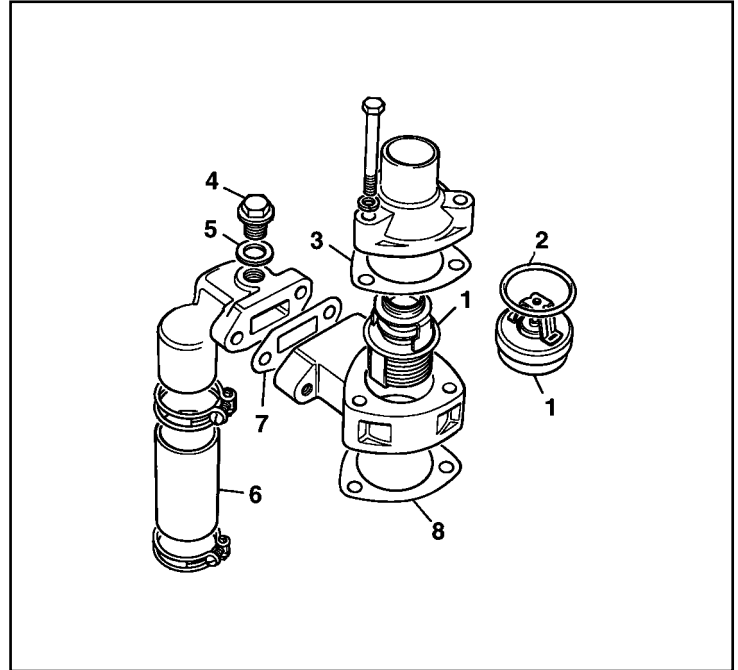


WATERPUMP

Ref #	Description	Qty	Part #
1	WATERPUMP, 2-1/4 IIA & III, PETROL & DIESEL	1	1820
1	Waterpump, 2.6 Litre European	1	5862
2	Waterpump Gasket, 2-1/4 Series II, Petrol & Diesel	1	123
2	Waterpump Gasket, 2-1/4 Series IIA & III	1	5186
3	Fan Pulley	1	283
4	Fan, 4 Blade 1 5372		
5	Fan Belt, Series IIA & III, 1961-on	1	5472
5	Fan Belt, Series I & II (53-58)	1	*NLA 144
5	Fan Belt, Series II 2-1/4 (58-61)	1	175
5	Fan Belt, Series II, 2 Litre Diesel (58-61)	1	175
5	Fan Belt, Series IIA, 6 cyl.	1	7604
6	Carbon Ring	1	358
7	Set Bolt for Bearing	1	5953
→	WATERPUMP OVERHAUL KIT FOR PETROL & DIESEL, II, IIA & III	KIT	118

***NLA = No longer available.**



THERMOSTAT HOUSING

Ref #	Description	Qty	Part #
1	Thermostat, Series I & II, 2 Litre Petrol 165o	1	5755
1	Thermostat, Series II, 2-1/4 (58-60)	1	*NLA 1347
1	Thermostat, Series II, 2 1/4 Petrol thru Suf. "C" 165°F	1	5755
1	Thermostat, Series II, 2 Litre Diesel	1	*NLA 1347
1	Thermostat, Series IIA & III, 6 Cylinders, 165o	1	5755
1	Thermostat, Series IIA, Suffix "D" Series III 165°F / 74°C Summer 180°F / 82°C All Year - Winter	1	7194
	Vehicles which can use 5755: Additional Alternatives		
1	Thermostat, 180°	1	*NLA 5753
1	Thermostat, 195°	1	*NLA 5754
2	O Ring using 1347 Thermostat	1	5137
2	O Ring, using 7194 & 8140		
1	Thermostat	1	6504
3	Thick Paper Gasket used as upper gasket on Series II Petrol & Diesel, 1961 only, Series IIA & III Petrol & Diesel, 1961 on	1	2067
4	Plug	1	1802
5	Joint Washer, Plug	1	1391
6	Intermediate Hose	1	1564
7	Joint Washer, Bypass	1	213
8	Thin Paper Gasket used as lower on Series II, 2 Litre Diesel, 1961 and Series IIA & III Petrol & Diesel	1	1448
8	Thin Paper Gasket used as only Gasket on Series I Petrol, Series II Petrol & Diesel (58-60)	2	1448
not shown	Gasket, 6 cylinder European & NADA	1	6402