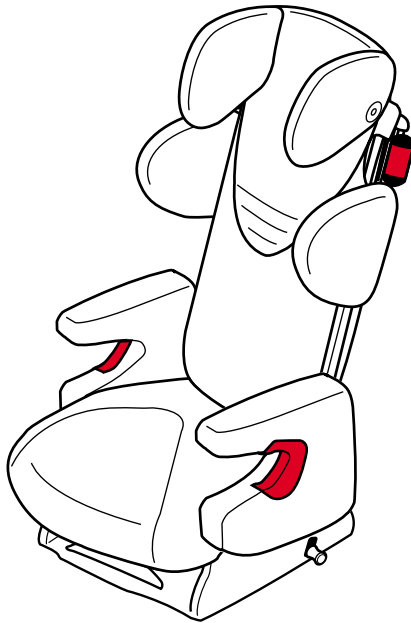


RECARO start

Universal restraint system for children
approved in accordance with ECE R44/03

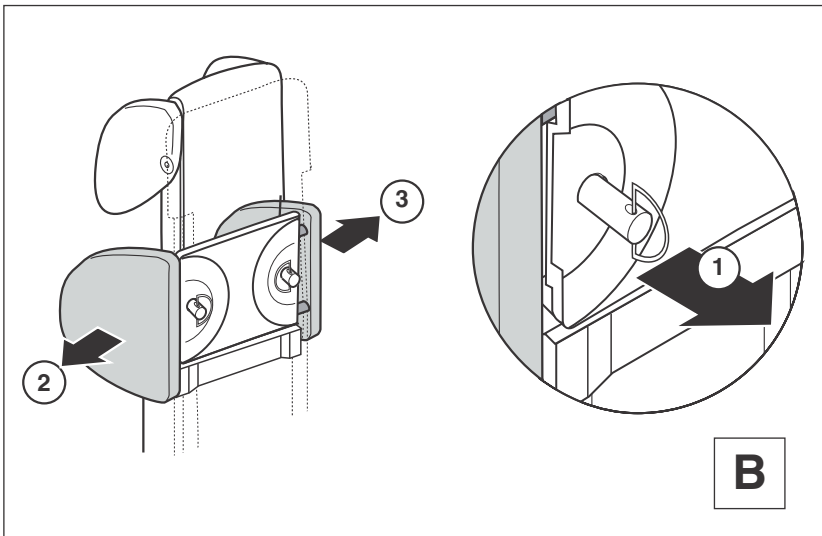
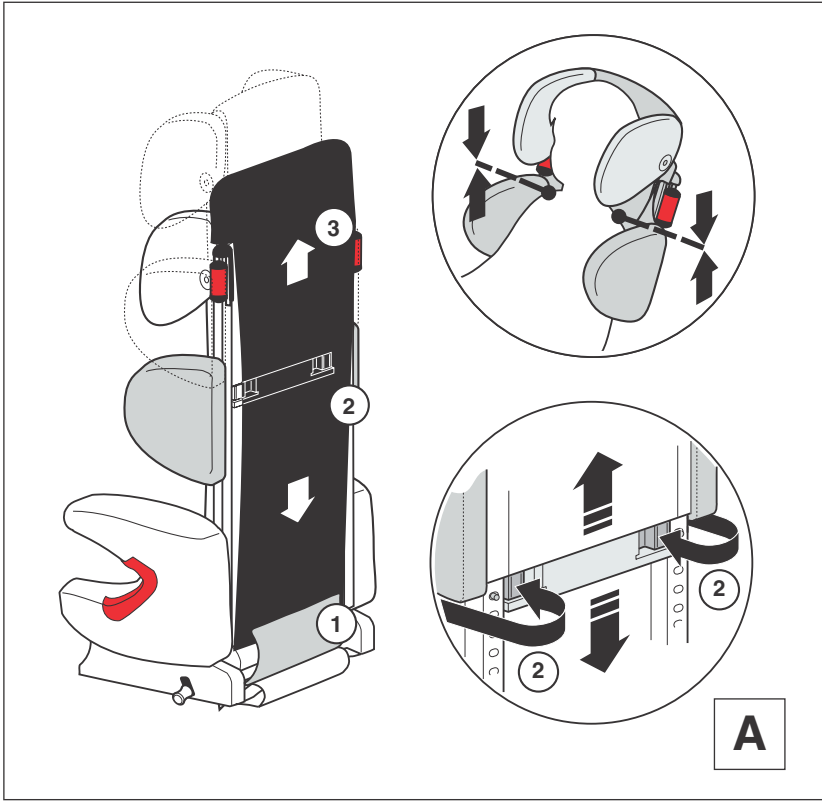
Instruction manual

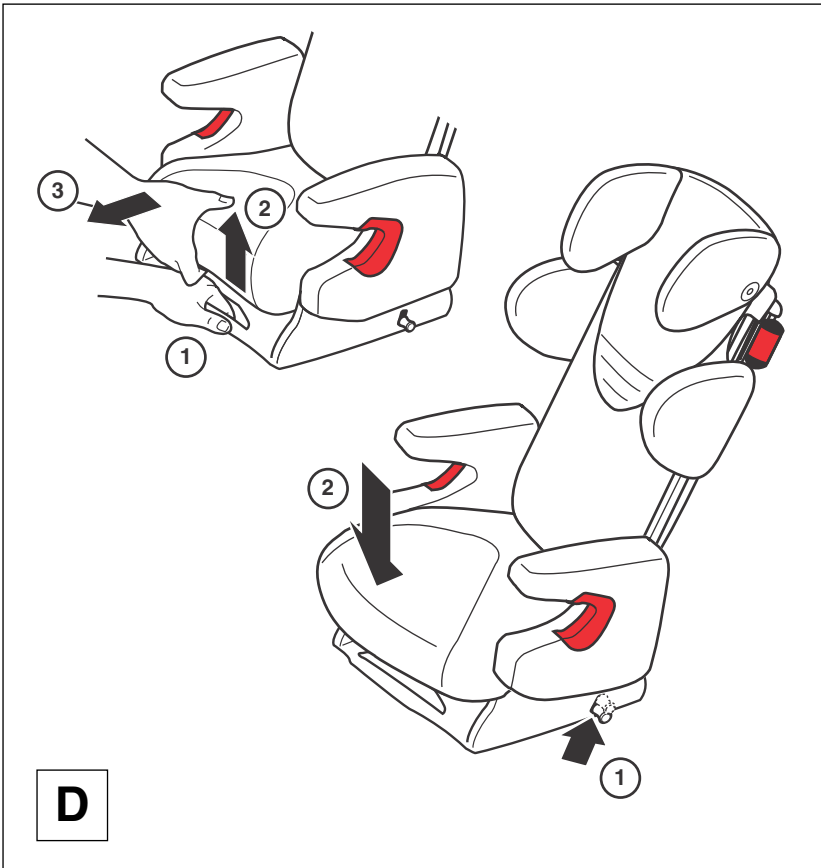
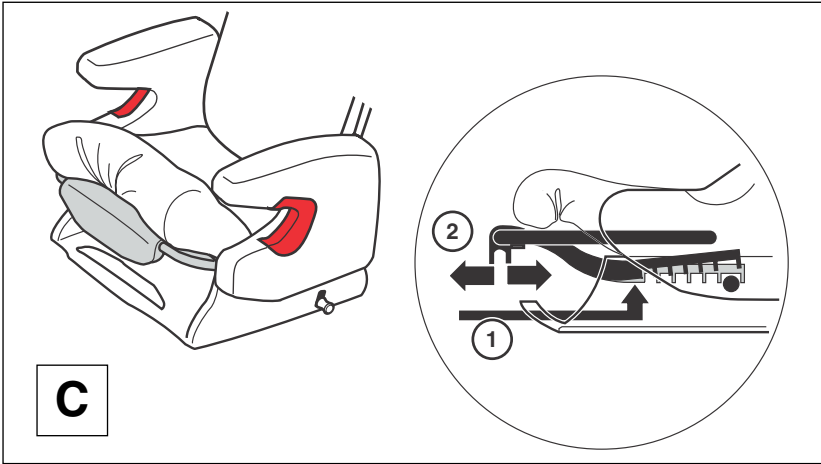


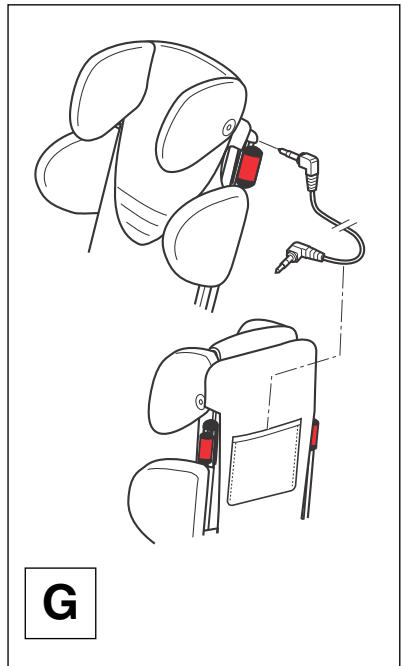
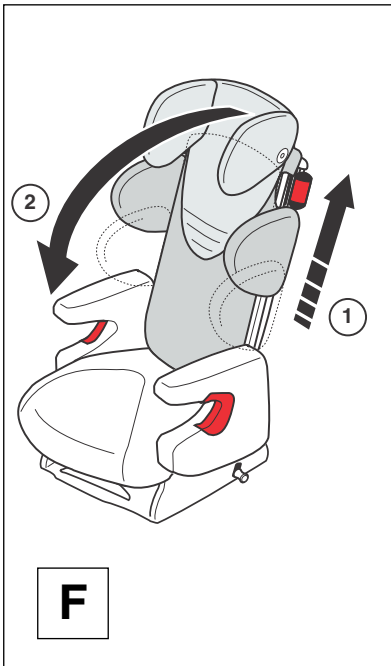
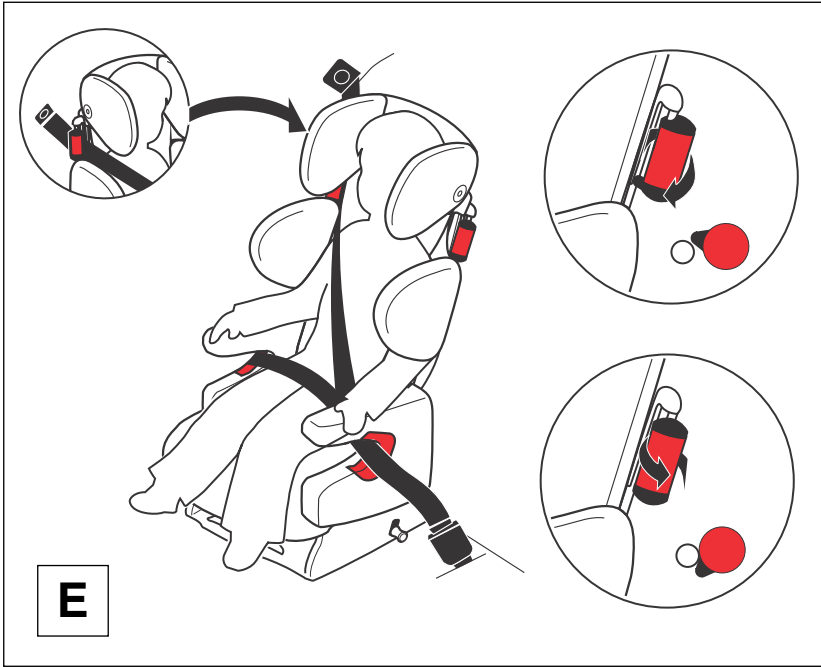
Only suited for use in vehicles fitted with 3-point safety belts, approved to ECE Regulation No. 16 or other equivalent standards.

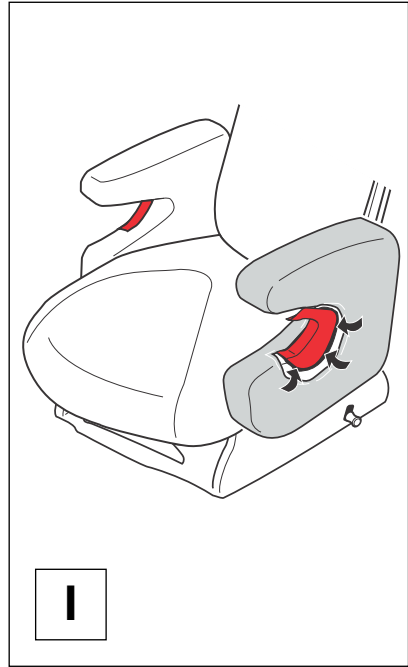
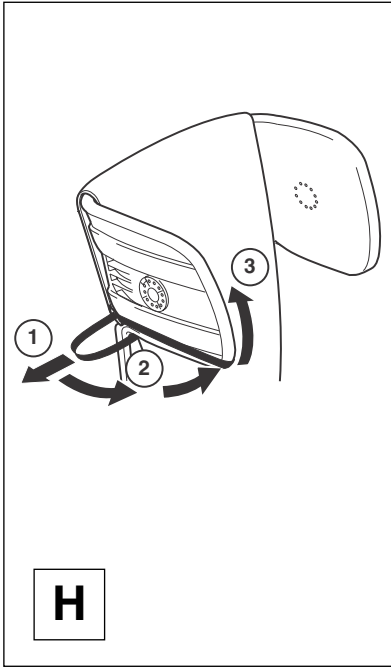
This is a Class I to III seat for children weighing 9–36 kg, up to 150 cm tall. Age guide 9 months to 12 years. RECARO recommends additional securing of children in the weight class ECE I (9–18 kg) with the RECARO impact cushion.

Suitable only for forward-facing installation.









Dear Parents,

The RECARO child seat you have bought is a high-quality product. Its different settings and its stable and ergonomic design ensure that the RECARO child seat is a safe and comfortable place for your child to sit when traveling in your car.

RECARO recommends additional securing of children in the weight class ECE I (9–18 kg) with the RECARO impact cushion.

However, before you use it, you need to set it to your child's size and then install it carefully, so that the seat is properly adapted to your child and will perform as required.

These instructions will help you do this, so please read them carefully.

-
- ! *Do not make any technical modifications to the child seat and use it only as outlined in these instructions. Otherwise, the safety function of the seat will be reduced or completely neutralized.*
 - *Do not make any technical modifications to the child seat and use it only as outlined in these instructions. Otherwise, the safety function of the seat will be reduced or completely neutralized.*

Use the child seat only in conjunction with the 3-point safety belts installed in the vehicle.

Use the child seat only in the back seat so that the child cannot be endangered by the front-seat passenger's airbag. We recommend installation behind the front passenger seat.

The upholstery fabric is subject to a certain degree of wear even from normal use. Please understand that such wear is normal, and therefore not grounds for a warranty claim.

Observe the safety instructions.

Table of contents

Safety instructions	8
How to adjust the RECARO child seat	10
Overview.....	10
Height of the backrest.....	11
Shoulder width	11
Seat length.....	12
Rest position	12
How to install the RECARO child seat	13
Installing the seat.....	13
Securing the child	13
How to transport the RECARO child seat	15
How to use the loudspeaker function	15
Notes on care	16
Removing covers	16
After washing	18
How to care for the cover of your RECARO child seat	18

Safety instructions

- **Adjusting the seat**

Before you set off on any journey, adjust the seat so that it is the right size for the child that is sitting in it. The child seat will only provide the protection it is designed for if this is done.

Every time you have adjusted the seat, make sure that the parts you have adjusted have locked into position properly.

Adjust the child seat only when the vehicle is parked. Subsequent to adjustment check that the belt runs correctly.

Do not make any technical modifications to the child seat and use it only as outlined in these instructions, otherwise the safety function of the seat will be reduced or completely impaired.

- **Installing the seat**

Use the child seat only in the back seat so that the child is not endangered by the front seat passenger's airbag. We recommend installation behind the front passenger seat.

Always install the child seat so that the child is facing in the direction of travel.

Shield the seat against direct sunlight to prevent the metal parts from getting hot.

Install the child seat so that rigid parts and plastic parts of the seat cannot be trapped under a moving seat or in the vehicle's door during normal use.

- **Securing the child**

Use the child seat only in conjunction with the 3-point safety belts installed in the vehicle.

A loose belt impairs the protective function of the seat. Make sure the shoulder and lap belts are always pulled tight. The belt clamp stops the child from loosening the 3-point belt. Do not twist the 3-point belt when installing the child seat.

Fit the lap belt as low as possible so that the child's lap is held correctly. Always feed the lap belt under the arm rests.

- **Transporting the seat**

The best way to transport the child seat when it is not being used is folded up in the boot of the car.

Do not use the belt fastener as a transport handle. Do not carry the seat by its cover.

Safety instructions

- **Securing passengers and luggage**

Always remember to put on your own safety belt. Adults who are not wearing a safety belt are a considerable danger to the child when there is an accident.

Luggage or other objects that could cause injuries in a crash must be secured properly. **The child seat should therefore be secured with the 3-point safety belt even when no child is sitting in it!**

- **General safety instructions**

Do not leave a child unattended in the child seat.

The seat may be damaged after an accident. In case of an accident, return the seat to the manufacturer for inspection. Never use seats which have been damaged in an accident!

The child seat is only approved with original RECARO accessories. Any use for the purpose other than that intended, modifications, or incorrect operation of the seat shall release the manufacturer of all liability and shall make the warranty void.

- **If your vehicle has been fitted with side airbags**

Your child's head may not be located within the area occupied by an inflated side airbag.

Ensure that your child is seated straight in the child seat and not crooked with his/her head toward the door.

- **Observe the following points when using the loudspeaker function**

Ensure that the loudspeaker cable from the child seat to the playing device is laid in such a manner that the child is not endangered in case of an accident.

Adjust the volume so that your child's hearing cannot be impaired.

When the loudspeaker cable is not connected, store it where it is not accessible for children, e.g. in the bag on the back of the child seat.

Ensure that the playing device (not included in the scope of delivery) is positioned in the vehicle in such a manner that the passengers are not endangered in case of an accident.

How to adjust the RECARO child seat

Overview – Figure on the back fold-out page

An overview of all parts of the RECARO child seat can be found in the illustration given on the back fold-out page.

- a** Socket for loudspeaker
- b** Belt clamp
- c** Shoulder support
- d** Arm rest
- e** Belt guide
- f** Lever for releasing the rest position
- g** Seat cushion
- h** Handle underneath the seat
- i** Backrest cushion
- j** Headrest
- k** Actuation ring for adjusting the shoulder width
- l** Adjustment button for adjusting the shoulder height
- m** Backrest frame cover
- n** Velcro fastener for backrest cushion
- o** Velcro fastener for seat cushion
- p** Loudspeaker cable

Height of the backrest – Figure A

The height of the backrest of the child seat can be adjusted to 11 different settings. Adjustment buttons for this purpose are found at the lower edge of the shoulder supports on each side, underneath the backrest cover.

- ▶ ① Open the Velcro fasteners at the bottom of the backrest cushion on the back of the seat.

● *You must loosen the backrest cushion before pushing up the backrest and tighten it again after insertion.*

I *To do this, push the backrest slightly forwards. Pull the cushion through the gap between seat and backrest and return the backrest to its original position.*

- ▶ ② Simultaneously press in both adjustment buttons.
The backrest lock is released.
- ▶ ③ Keep the adjustment buttons pressed and adjust the backrest until it is the right height.

! *For proper belt guide, place the child in the child seat and adjust the backrest such **that the child's shoulders and the upper edge of the shoulder supports of the seat are at the same height.** Only then are the headrest and the belt clamps that guide the 3-point belt correctly positioned.*

- *The belt fastener also ensures that the shoulder belt is not positioned too close to the child's neck.*

- ▶ Make sure that the backrest locks into the next latching position when you release the adjustment buttons.
- ▶ Straighten the backrest cover and secure it with the Velcro fastener.

Shoulder width – Figure B

The width of the shoulder supports can be adjusted to 3 different positions. Both shoulder supports are secured with a locking pin. Before adjusting the shoulder width, you must pull the pin out of the locked position by the ring which is attached to it. The rings are located on the back of the seat, on the sides under the fabric cover.

- ▶ ① Swing the actuation ring out and pull it back as far as it will go.
This releases the shoulder support lock.
- ▶ ② / ③ With the actuation ring held pulled out, adjust each shoulder support separately and evenly on both sides to the desired width.
- ▶ Ensure that the shoulder supports engage in the required locking position after the actuation ring is released.
The actuation ring automatically returns to its original position.

Seat length – Figure C

The seat length can be adjusted to 6 different positions.

- ▶ Fold the seat cushion up.
- ▶ ① Reach underneath the seat and press up the seat from underneath. The seat lock is released.
- ▶ ② Keep the seat pressed upwards while adjusting the seat length to meet your requirements.

● *The seat has been set correctly when the child's thighs are supported to just before the back of its knees.*

I ***General rule:** there should be 2 to 3 fingers of space between the seat and the back of the child's knees.*

- ▶ Ensure that the seat snaps into the desired locking position.
- ▶ Put the seat cushion back in the original position.

Rest position – Figure D

Tilting the child seat to the rest position

! *The rest position is foreseen exclusively for the weight classes I to II (for children from 9 months up to the age of about 6 years, 9-25 kg).*

● *For safety reasons, you are only allowed to adjust the rest position when the vehicle is stationary.*

- ▶ Release the 3-point safety belt.
- ▶ ① Firmly hold the seat substructure with one hand by the handle at the front.
- ▶ ② / ③ Grip the front edge of the seat with the other hand, raise and pull forward until the child seat locks into the rest position.
- ▶ Reattach the 3-point belt (see Section "Securing the child" on page 13/14).

Returning the child seat to the sitting position

A small lever for this is attached to the seat substructure on the left-hand side (as viewed in the direction of travel).

! *For safety reasons, you must first release the 3-point safety belt and take the child out of the seat before returning the seat to the normal sitting position.*

- ▶ ① Pull up the lever and hold in place.
The lock is released.



Do not reach around or behind the arm rests when doing this.

- *Your fingers could be trapped when returning the seat to the sitting position.*

- ▶ ② Hold the lever up and press down at the front edge of the seat.
The child seat travels back and engages in the sitting position.
- ▶ Reattach the 3-point belt (see Section "Securing the child" on page 13/14).

How to install the RECARO child seat

When you have adjusted the child seat to the child's size, you can use it in all back seats that are equipped with a 3-point safety belt.



Use the child seat only in the back seat so that the child is not endangered by the front seat passenger's airbag. We recommend installation behind the front passenger seat.

- *passenger seat.*

Installing the seat



*Ensure that the **backrest of the child seat is against the backrest of the rear seat.***

- ▶ Install the child seat so that the child is facing forward.
- ▶ Should a headrest be in the vehicle, set it so that the backrest of the child seat rests correctly against the backrest of the vehicle's seat.

Securing the child – Figure E



Always proceed according to the sequence given here to secure the child. The belt clamps and guides for guiding the 3-point belt are marked in red.

1. Putting the belt on

- ▶ Place the child in the child seat.
- ▶ Pull down the 3-point safety belt and loosely guide it past the seat and child.
- ▶ Engage the belt in the belt buckle **with an audible click.**


2. Ensuring the correct position for the lap belt


- ▶ Route the lap belt under the arm rests past the two bottom red belt guides.
- ▶ Tighten the lap belt by pulling on the shoulder belt.

3. Ensuring the correct position for the shoulder belt

- ▶ On the belt-buckle side, route the shoulder belt between the red belt guide and the arm rest.
- ▶ Open the red belt clamp on the opposite side above the shoulder support by turning outwards, and feed in the shoulder belt.
- ▶ Grip the shoulder belt behind the belt clamp and pull it tight. The shoulder belt is clamped and kept taut by the belt clamp. The child cannot loosen the belt and is held securely in the child seat.

Deactivating the clamping function

 *Use of belt clamps is compulsory for children weighing up to 18 kg. For heavier children it is sufficient to guide the belt without the clamping function.*

 *Guide the shoulder belt through the belt clamp even if the clamping function is deactivated.*

- ▶ Turn the clamping roller outwards beyond its point of resistance. The clamping roller is locked in its open position. The belt clamp is not in operation. The child has the same freedom of movement as an adult wearing a 3-point safety belt.

Restoring the clamping function

- ▶ Turn the clamping roller inwards beyond its point of resistance. The belt clamp is in operation. The shoulder belt is kept taut.

How to transport the RECARO child seat

Figure F

You can fold the child seat so that it can be transported safely and without taking up much space.



For your own safety, it is best to transport the unused child seat folded up in the boot of the vehicle.

- ▶ ① Push the shoulder supports into the uppermost locking position and lock.
- ▶ ② Fold the backrest forward against the resistance as far as it will go.

Return the backrest to its original position by folding open as far as it will go.

How to use the loudspeaker function

Figure G

- ▶ Remove the loudspeaker cable from the bag on the back of the child seat.
- ▶ Plug the loudspeaker cable into the socket on the left-hand headrest.
- ▶ Lay the cable to the playing device (Walkman, CD player, etc.) in such a manner that the cable does not endanger the child in case of an accident.
- ▶ Position the playing device in the vehicle in such a manner that the passengers are not endangered in case of an accident.
- ▶ Plug the loudspeaker cable into the playing device.



Adjust the volume at the playing device so that your child's hearing cannot be impaired.

- *Do not leave the child unattended in the child seat.*

When the loudspeaker cable is not connected, store it where it is not accessible for children, e.g. in the bag on the back of the child seat.

Notes on care

- **I** You can wash all parts of the covers with a gentle-wash detergent at 40 °C. You can spin-dry the covers, but do not dry them in a dryer.
 - You can remove all parts of the covers independently of each other and wash them separately.
 - Take out the foam inlays prior to washing and close the Velcro fasteners!
-

Removing covers

Removing the headrest cover

- ▶ Unbutton the headrest cover at the loudspeaker socket on the left-hand side.
- ▶ Detach the cover from the side sections by withdrawing forward.

Removing the seat back cover – Figure H

- ▶ Open the Velcro fastener on the back of the seat and press the seat back slightly forwards.
- ▶ Pull the upholstery through the gap between the back and seat sections and pull it upwards.
- ▶ Pull off the headrest cover and foam parts forwards from the headrest side sections.
- ▶ ① Pull out the rubber band below the right-hand headrest side-section.
- ▶ ② / ③ Lead the rubber band from below around the headrest and over the back of the seat and remove the back upholstery. Ensure that the loudspeaker socket on the left-hand headrest is not damaged.

Removing the seat cushion

- ▶ Return the seat to the normal position and open the Velcro fastener at the rear.
- ▶ Pull the elastic back over the lower section.
- ▶ Tilt the backrest slightly forward and detach the cushion by withdrawing forwards.

Removing the shoulder supports

- ▶ Detach the cover, together with cushion, by withdrawing forwards.

Removing the backrest frame cover

- ▶ Detach the fabric web by withdrawing upwards.

Removing the arm rests



Remove the seat cushion beforehand to do this.

- *The red belt guide may not be dismantled.*
-

- ▶ Open the Velcro fasteners at the inner side of the seat.
- ▶ Let the cover hang down and then detach by withdrawing forwards over the belt guide.

After washing



Do not forget to replace the foam inlays which you removed before washing, as these perform an important function as cushions, e.g. to protect the head,

- *back and pelvis.*
-

Putting the cover on the child seat

- ▶ Proceed in the reverse order as for removing the covers.

Putting the cover on the shoulder support

- ▶ Insert the foam inlays in the covers and guide with inlay over the shoulder supports.

Putting the cover on the arm rest – Figure 1

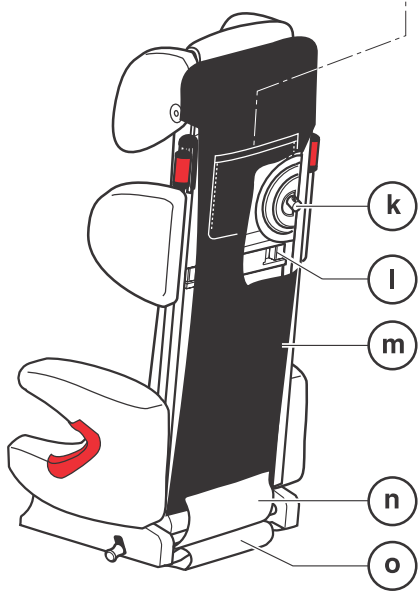
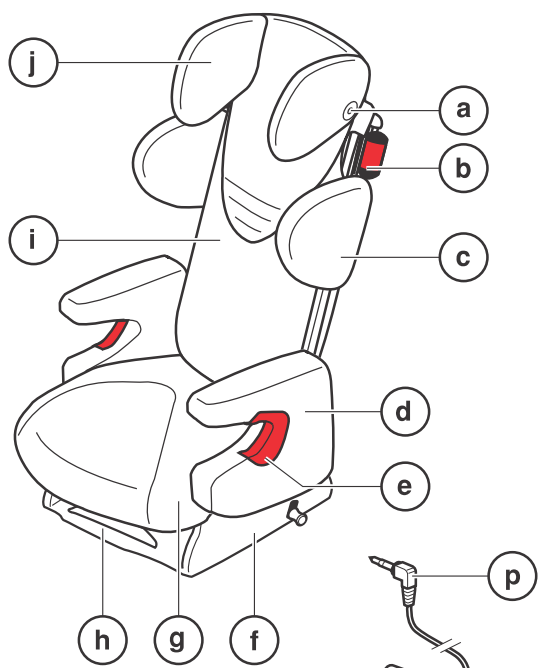
- ▶ Push the cover over the arm rest and press down the recess on all sides underneath the red belt guide.
- ▶ Pull the cover down over the arm rest and fasten the Velcro fasteners at the sides and at the back.

Putting the cover on the headrest

- ▶ Guide the cover over the side sections and button in loadspeaker socket on the left hand side. Ensure that the right and left sides are not switched.

How to care for the cover of your RECARO child seat

- ▶ Make sure that the child seat is always secured in the vehicle such that it does not chafe against anything.
- ▶ Protect your RECARO child seat from all sharp-edged objects.



RECARO GmbH & Co. KG, Stuttgarter Straße 73, D-73230 Kirchheim/Teck,
Telefon +49/(0)70 21/93-52 08, Telefax +49/(0)70 21/93-53 39, www.recaro.com, info@recaro.com

RECARO UK:
Phone +44 / 19 26 / 48 41 11
info.gb@recaro.com

RECARO France:
Phone +33 / 5 / 46 34 32 29
info.f@recaro.com

RECARO South East Asia:
Phone +60 / 3 / 55 69 28 55
info.my@recaro.com

RECARO Japan:
Phone +81 / 748 / 25 06 03
info.j@recaro.com

RECARO USA:
Phone +1 / 248 / 3 64 38 18
info.usa@recaro.com

RECARO